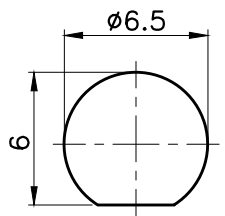
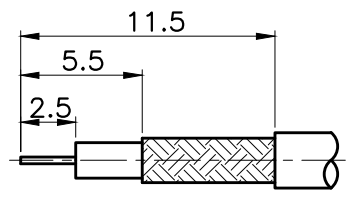


REVISIONS	
ISS	DESCRIPTION \ DATE

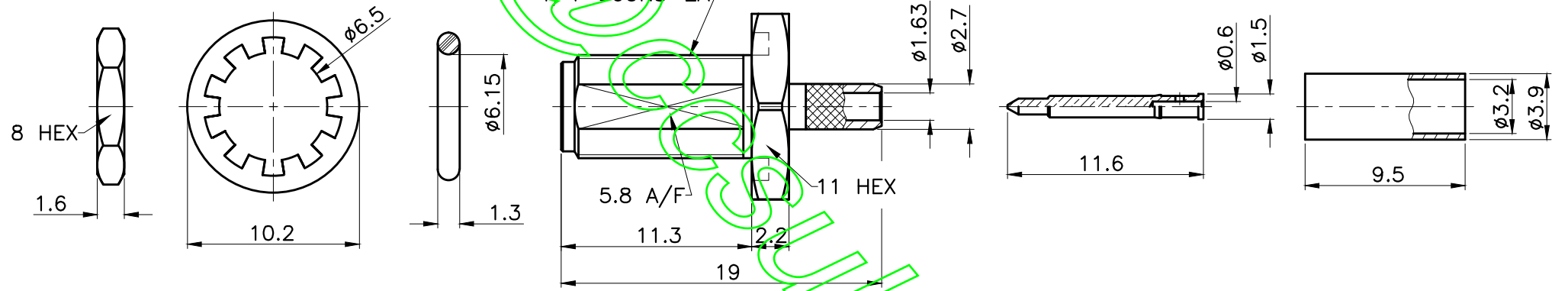
RoHS COMPLIANT



PANEL HOLE



RECOMMENDED CABLE STRIPPING DIM'S



1. CRIMPED FERRULE  
HEX CRIMP SIZE .128"
2. CONTACT PIN TO SOLDER



TITLE: RP SMA FEMALE BULKHEAD CRIMP  
(FOR RG174, RG316)

PART NO: SMABJCR174R 055

DRAWING NO:

APRD:	UNLESS OTHERWISE SPECIFIED TOLERANCES 0.5-6 = ±0.2 >6-30 = ±0.4 >30-120 = ±0.6 >120-315 = ±1 >315-1000 = ±1.6 ANGLES = ±5°	NUT	BRASS	GOLD
CHKD:		WASHER	BRASS	GOLD
DR:		O RING	SILICONE	BLACK
DATE: 11/13/13"	UNIT: mm	FERRULE	BRASS	GOLD
SHEET: .	SCALE: 3/1	CONTACT PIN	BRASS	GOLD
		INSULATOR	TEFLON	WHITE
		BODY	BRASS	GOLD
		NO. DESCRIPTION	MATERIAL	FINISH